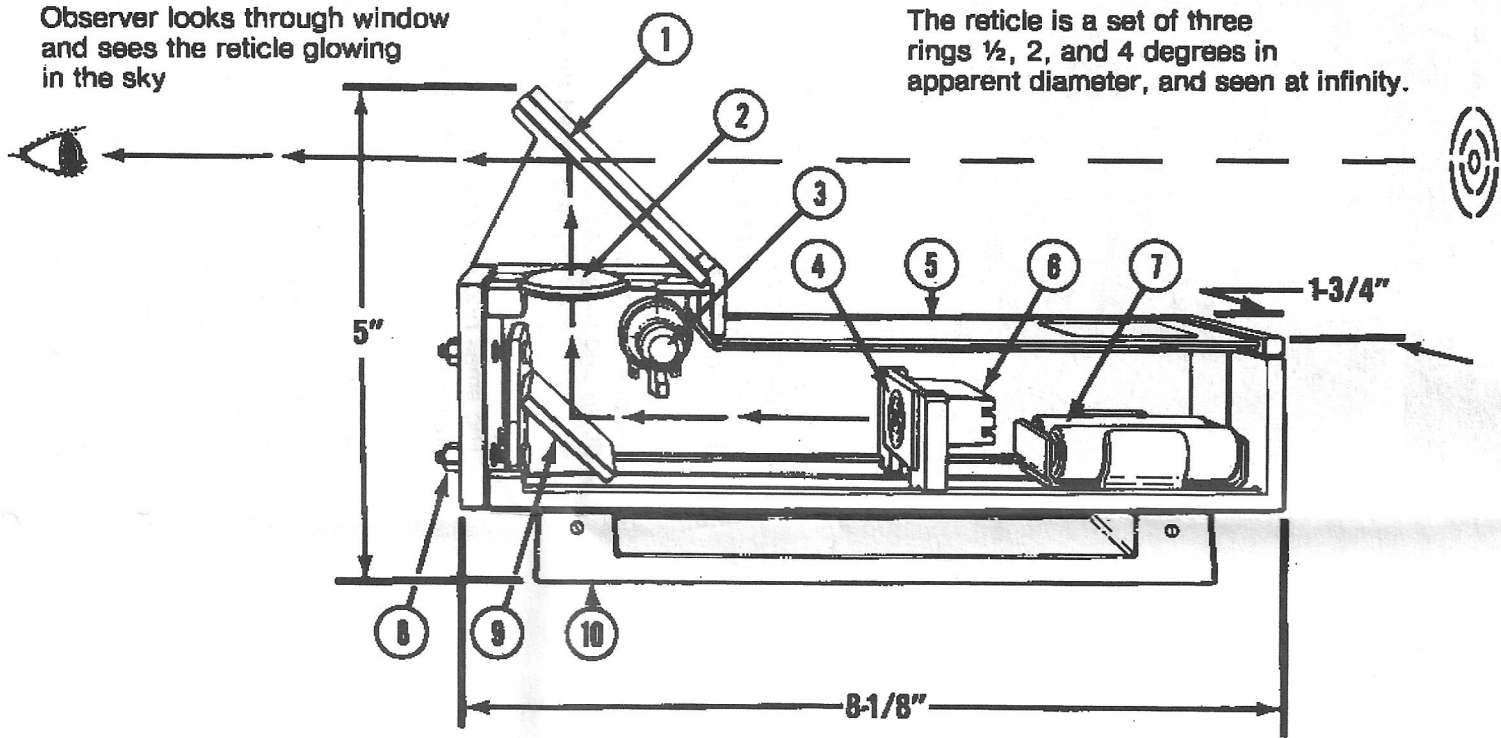


USING YOUR TELRAD® REFLEX SIGHT

Observer looks through window and sees the reticle glowing in the sky

The reticle is a set of three rings ½, 2, and 4 degrees in apparent diameter, and seen at infinity.



- ① Clear glass window reflects reticle image into observer's eye.
- ② Lens.
- ③ Reticle brightness control.
- ④ Reticle. Note: Do not let the sun shine directly into the lens because it will burn the reticle.
- ⑤ Cover plate-slide off to reach battery holder.
- ⑥ Red light emitting diode (LED).
- ⑦ Two size AA batteries. Positive terminal is towards the red wire and negative terminal is towards the black wire. If polarity is reversed the reticle image will not light.
- ⑧ Adjustment screws to allow reticle image to be aligned with telescope's field of view:
 - After mounting in position on your telescope, locate an object in the telescope's field of view.
 - Using the adjustment screws, bring the center of the reticle image into the same field of view as the telescope.
 - The sight may be removed and replaced in its mounting base without further adjustment as long as it has not been adjusted for use on a different telescope.
- ⑨ First surface mirror.
- ⑩ Mounting base. The Telrad® Reflex Sight unlocks from the base by loosening the two side screws.

To install the mounting base on your telescope:

 - Locate the position that you think will be most comfortable for you.
 - install temporarily using a low tack tape (such as electrical tape), large diameter tie wrap, string or other method.
 - After you are satisfied with the position of the sight, remove the backing from the foam tape, carefully align with the axis of the telescope and attach in the selected location.
 - Once attached with the foam tape, the mounting base cannot be moved. Base may also be mounted using available screw holes.

Extra mounting bases are available to allow one sight to be used with all your telescopes.
Keep your Telrad® Reflex Sight in the box when not in use.

Replacement parts and accessories available from your preferred Telrad dealer.