



S-4

Fresnel LED light



Description

The S-4 Fresnel is an accurate and fully calibrated LED light with superb color mixing and very low power consumption; ideal for the broadcast, theatrical, and stage industry, where high quality lighting is essential. The S-4 Fresnel comprises red, green, blue, amber, and mint LEDs that mix directly in the light source. The optical system is designed to deliver not only a staggering output but also a perfect color mix with a completely even field.

Features and benefits

- ✓ High-power IP65 RGBAM LED Fresnel Luminaire
- ✓ High TLCI / CRI / CQS, Congo Blue enhancer, and +/- Green
- ✓ 2000K - 10000K CTC control, CRI > 92, TLCI > 90, CQS > 91, Rf > 89
- ✓ Practically maintenance-free and silent performance
- ✓ 9° to 76° motorized zoom, RDM control, and manual operation via 4 knobs
- ✓ Lightweight, compact size, and easy-installable accessories
- ✓ Interchangeable lenses, 4-way barndoors, and magnetic Top Hat
- ✓ No color shifts or hotspots / flicker-free / color filter emulation

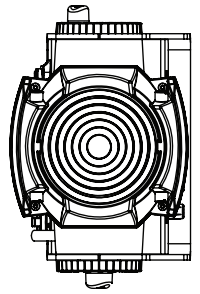
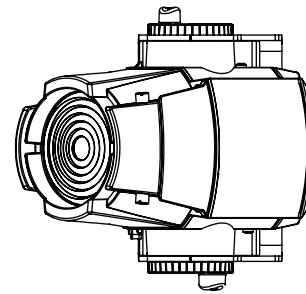
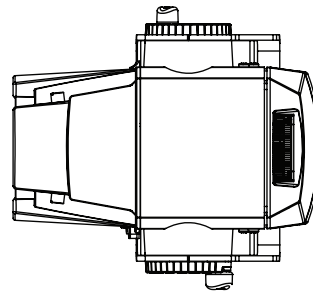
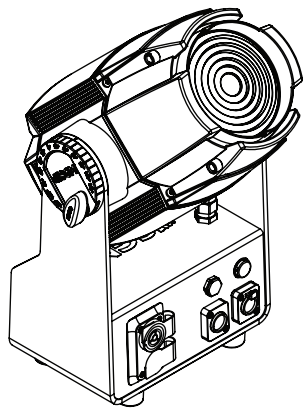
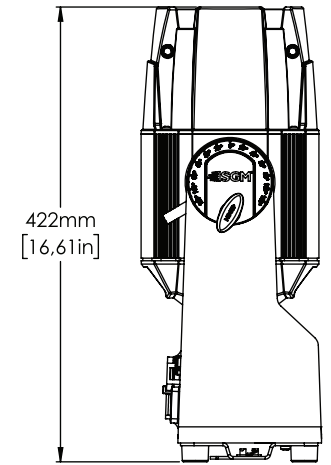
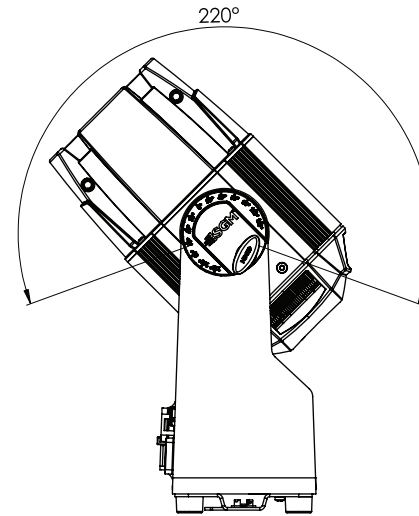
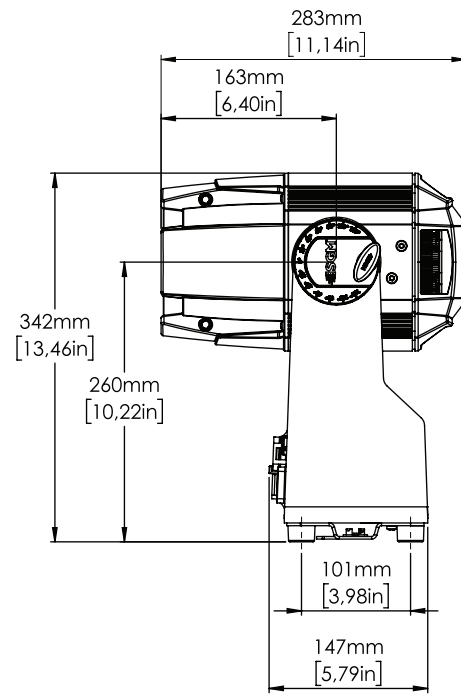
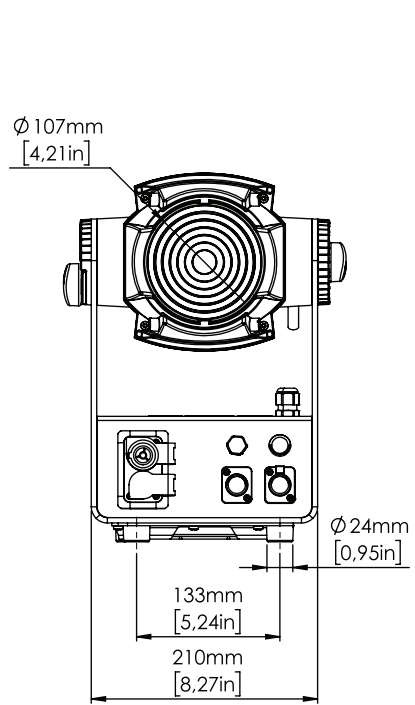
Certifications & classifications

IP65

RoHS

CE





Specification

Optical Data	Fresnel lens diameter	112 mm
	LED expected lifetime	50,000 hours
	Lightsource	5 color 150 W
	Zoom	Motorized
	Zoom range	9° to 76°
Photometric	Color temperature range	2000K - 10000K
	CQS typical	91
	CRI @ 3200K	94
	CRI @ 5600K	92
	CRI typical	92
	Efficacy	37 lm/W
	Light output all LEDs on	7265 lm
	Light output blue	264 lm
	Light output green	1103 lm
	Light output red	524 lm
	Lux @ 10m	757 lux
	Lux @ 3m	7720 lux
	Lux @ 5m	3027 lux
	Maximum Beam Angle	52 °
	Maximum Field Angle	78 °
	Minimum Beam Angle	9 °
	Minimum Field Angle	20 °
	RF typical (TM-30-15)	89
	TLCI @ 3200K	87
	TLCI @ 5600K	93
TLCI typical	90	
Physical	Color options	Black - RAL 9004 Custom color - Any RAL White - RAL 9010
	IP class	IP65
	Lens material	Tempered glass front
	Material	Aluminium PC/ASA Plastic Rubber Steel
	Net dimensions	147 x 422 x 210 mm
	Net dimensions inches	5.8 x 16.6 x 8.3 inches
	Net weight	6.95 kg (15.3 lbs)

Features	Dehumidifier	Base / Head
	Dimming	Electronic
	Emulation mode / effect	Color Filter Emulation
	Strobe	Ultra-high-speed strobe effects
	Tilt	240°
	Tilt Locking System	Locking system with angle indicator
Electrical	AC power, max.	90 - 264V 50/60Hz
	AC Power, nominal	100 - 240V 50/60Hz
	Electrical Protection	Overload protection with automatic recover
	Max Inrush Current	40 A
	Max power consumption	190 W
	Power factor	0.92 PF (230 V)
	Power Supply Unit	Auto-ranging electronic switch-mode
	Standby power consumption	10 W
	Typical power consumption	150 W
Programming and Control	16-bit control	Dimmer, Red, Green, Blue
	Cabled DMX	5 pin XLR input/output
	DMX channels	13
	DMX modes	1
	Manual control via 4 knobs	Mode 1: Intensity, hue, saturation, zoom Mode 2: Intensity, CTC, plus/minus green, zoom Mode 3: Red, Green, Blue, zoom
	Protocol	CRMX, W-DMX™ G2, W-DMX™ G3, W-DMX™ G4, W-DMX™ G4S USITT DMX512A RDM ANSI E1.20
	Setting and addressing	Control panel OLED graphical display / 4 buttons Standalone mode
	Standalone mode	Quick Color 8 Internal Standalone Programs
	Wireless DMX	Lumen Radio with RDM
	Connections	DMX data in/out
Power		Power input connector & link-thru
Installation	Mounting point	2 quarter-turn locking points for one Omega bracket 28mm Spigot

	Orientation	Any
	Rigging possibilities	Hanging (Omega Brackets included)
	Safety features	2 attachment points for safety wire Minimum distance to combustible materials: 0.3 meter (11 in).
Thermal	Cooling	Active, Forced Air, Temperature-regulated
	Humidity (max.)	98 %
	Temperature range, Operating	-40°C to 50°C
	Temperature range, Start-up	-20°C to 50°C
	Temperature range, Storage	-40°C to 80°C
	Thermal Protection	Automatic overtemperature protection
Included items	Included items	2 m power cable 1 Omega bracket with quarter-turn fasteners Safety instructions and installation quick guide
Conforms To	CE - 2014/30/EU: EMC Directive	EN 55103-1 EN 55103-2 EN 55015 EN 61547 EN 61000-3-2 EN 61000-3-3
	CE - 2014/35/EU: Low Voltage Directive	EN 60598-1 EN 60598-2-17 EN 62471 EN 60529

NOTES:

Due to continuous improvements and innovations, specifications may change without notice.

LEDs' expected lifetime provided by manufacturer and obtained under manufacturer's test conditions.

Zoom range defined as a minimum beam angle to a maximum field angle.

Photometric measurements obtained with Goniometer Scan / SGM Illumination Lab 1.6.0.0.

Lumen output in pixel products is calculated.

Ordering information

Qty	Product name	Item number
<input type="checkbox"/>	S-4 Fresnel C, Std, BL w/ wireless	80111003
<input type="checkbox"/>		
	Accessories	Item number
<input type="checkbox"/>	S-4 Micro-Fresnel Front Lens Kit	83061410
<input type="checkbox"/>	Omega Bracket with 1/4-turn fasteners	83060602
<input type="checkbox"/>	Power cable with IP connector	07860275
<input type="checkbox"/>	SGM USB uploader cable	83062011
<input type="checkbox"/>	Vacuum Test Kit	83061136
<input type="checkbox"/>	G-4 Wash/S-4 Fresnel Top Hat	83061150
<input type="checkbox"/>	A-4	80070217
<input type="checkbox"/>	4-way Barndoors for S-4 Fresnel	83061153
<input type="checkbox"/>	4-way Motorized Barndoors for G-4, S-4	83061166
<input type="checkbox"/>	RDM Addressing Tool	
<input type="checkbox"/>	8-way Barndoors for S-4 Fresnel	83061154
<input type="checkbox"/>		



Headquarter [+45 70 20 74 00](tel:+4570207400)

Mail info@sgmlight.com

Website sgmlight.com